

Water Diversion Valve

BAS20-S Installation & Operating Instructions

- ✓ Hydraulically Operated
- ✓ Solid Brass Construction
- ✓ Built-in Dual Check Valves

 acquasaver.com.au



Introduction

The AcquaSaver Valve is a fully automatic mechanical rainwater/mains changeover device designed for a pressure pump supply system for harvesting rainwater for the toilet, laundry and household applications with automatic mains water backup. It's suitable for two toilets, a washing machine and a tap.

Features

- ✓ Patent design
- ✓ Easy to install
- ✓ Watermark approved
- ✓ Smart Watermark approved
- ✓ 2 year warranty
- ✓ No regular maintenance required
- ✓ No electrical consumption or electrical components
- ✓ Solid brass construction
- ✓ Fully waterproof – Built to last
- ✓ Suitable for any pressure pump with sufficient head pressure
- ✓ Can be mounted in any position.
- ✓ Built-in dual check valve for backflow prevention
- ✓ Solid Brass mounting bracket (optional)

Specifications

Max Mains Pressure	500 KPa recommended
Max Pump Pressure	600 KPa
Min Pump Pressure	300 KPa Recommended
Recommended min pump cut-in pressure	2 Bar
Max Flow Rate	50 LPM
Max water temperature	40° C
Min Water Temperature	0° C*
Pump Inlet	25mm 1" BSP F
Mains Water Inlet	20mm 3/4" BSP
Outlet	20mm 3/4" BSP
Weight	2.5 Kg

*Ensure proper protection against freezing weather.

Operation

The AcquaSaver valve will always prioritise the use of rainwater over mains water when rainwater is available and will automatically switch to mains water in the event of the rainwater tank running low or an electrical failure.

When rainwater has been replenished, or power has been restored to the pump, the AcquaSaver valve will always automatically prioritise back to rainwater.

The pump is only active when rainwater is being drawn from the rainwater tank; it does not operate when the AcquaSaver valve has switched to mains water position.

The pump's controller will start and stop the pump when it detects a demand, for example, flushing a toilet.

The operating mechanism of the AcquaSaver valve is a unique patent design. It works by hydraulic water pressure created by the pump to close the mains water inlet, ensuring an extremely reliable mechanism using few moving parts, no electronic components and no energy consumption.

Maintenance

The AcquaSaver valve does not require maintenance; however, there are things you can do to ensure its most reliable operation:

- Fit a Y-Strainer
- Clean your gutters
- Clean the inlet strainer on the rainwater tank

If the valve hasn't changed to mains in a 90-day period, it's advised to switch off power to the pump for 12/24hrs and allow mains water to flow through.

Connection

Step 1.

The AcquaSaver valve is fitted onto the pump controller as shown in Fig 1. Lock up the 1" BSP F loose nut with the rubber washer supplied, do not over tighten Fig 2.

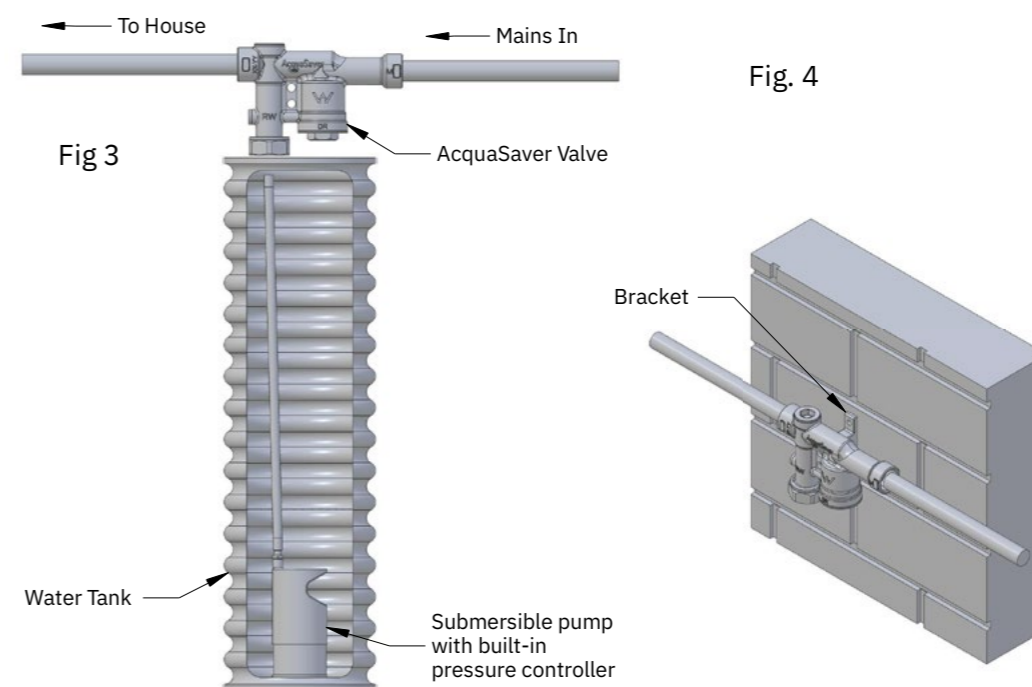
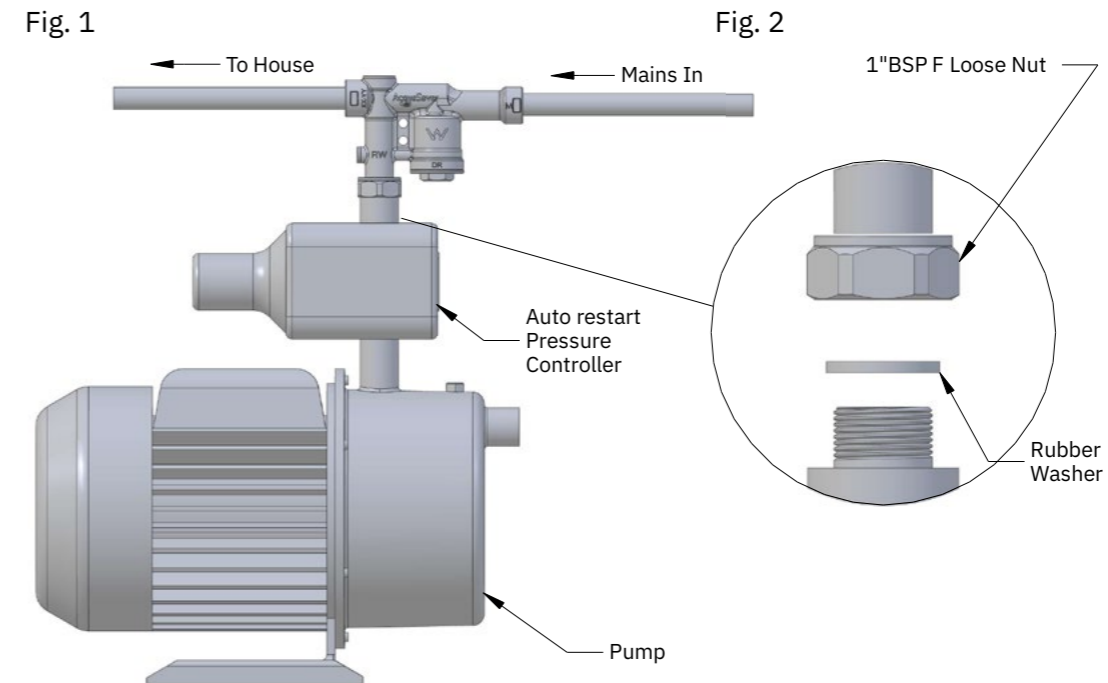
Step 2.

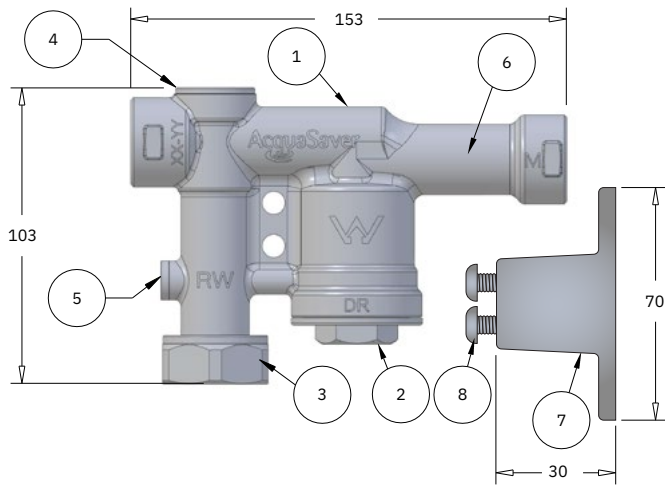
Connect the mains water to the AcquaSaver Valve Fig 1.

Step 3.

Connect outlet to household.

Fig 3 shows a typical installation on a submersible pump. Fig 4 shows the AcquaSaver valve mounted on a surface using the optional AcquaSaver bracket (Not supplied).





Parts List

Item No.	Part Name	QTY	Material
1	Acquasaver Body	1	DZR Brass
2	Piston Cap	1	DZR Brass
3	DN25 Nut	1	Brass
4	M24 Cap	1	DZR Brass
5	1/8 BSP Plug	1	S/S
6	Dual Check Valve	1	DZR Brass
7	Forged Bracket	1	Brass
8	Hex Screws	2	S/S

Trouble Shooting

Symptom	Cause	Remedy
No water is delivered from the pump, or pump performance is decreased.	Rainwater tank is empty. No power. Isolation valve is closed.	Wait for tank to fill. Check power supply & plug. Open Isolation valve. See pump manual.
No water is delivered from mains.	No water from mains. Debris in the valve. Air Lock.	Check isolation valve. Open bleed plug.
Pump continually runs.	Leak in the plumbing system. e.g. toilet or tap is leaking. Faulty pump.	

AcquaSaver warranty for Australia and New Zealand

The AcquaSaver Valve is guaranteed for a period of 2 years from the date of original purchase to be free of material or manufacturing defects. Should any part fail as a result of such defects within this period, the AcquaSaver valve will be repaired or replaced free of charge. The AcquaSaver also has a LIMITED LIFETIME WARRANTY on all brass components; any brass component will be replaced free of charge if it fails in normal use during its life. The warranty applies in all states and territories in Australia and New Zealand. The warranty period commences on the day of the original purchase of the AcquaSaver valve. Evidence of this purchase must be provided when claiming repairs or replacement; it is recommended you retain all receipts. Both warranties are subject to conditions by the original purchaser with all conditions set in the installation and operating instructions. Failure to comply with these instructions, damage or breakdown caused by fair wear or tear, negligence, misuse, incorrect installation, chemical or additive in the water, corrosive or abrasive water, inadequate conditions, attempting repairs or accidents are not covered by this warranty.

Proudly manufactured by



4 Squires Way, Croydon South
Victoria 3136 Australia

+61 3 9878 1575
+61 3 9894 2820

acquasaver.com.au